

Goldsmith table

Single step, sit-stand, height electrically adjustable

Height (mm)	min. 927 / max. 1387
Stroke (mm)	460
Speed (mm/s)	24
Top Width (mm)	1400
Top Length (mm)	700
Top Thickness (mm)	38
Length of feet (mm)	558
Body dimensions L x H x D (mm)	350 x 530 x 522
Column size (mm)	50 x 50
Dynamic capacity (kg)	60
Noise dB(A)	<50
Power	V 100 - 240
Plug type	Replaceable
Gross Weight (kg)	135

Lifting columns made of powder coated aluminium.

Side panels, top supports, crossbars and cable tray made of powder coated steel.

Surface color

Powder coating ● (RAL9005)
 Wooden components ● (Beech)

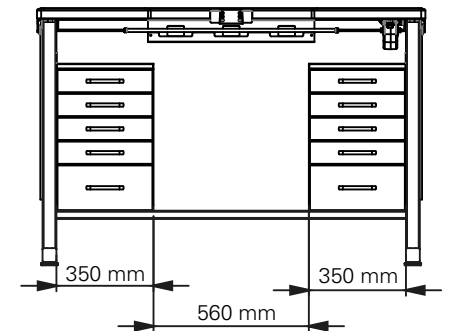
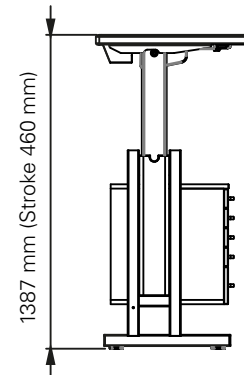
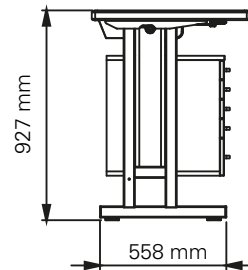
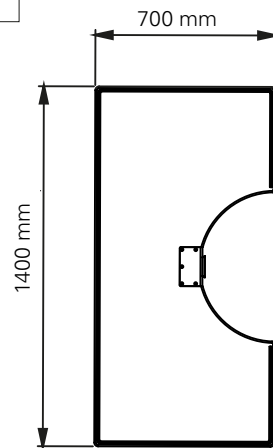
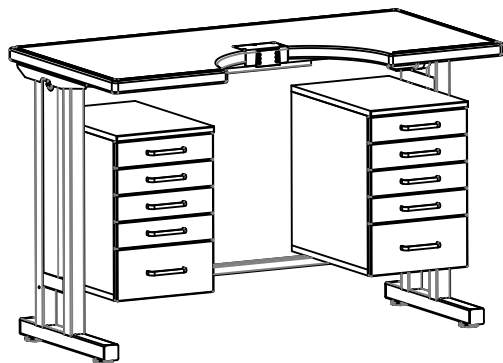
Packing dimensions single unit

1500 x 800 x 1200 (LxWxH - mm)

Accessories

Please see the accessories section to personalise your height adjustable frame.

VISIONLIFT
INSIDE



actiforce